

Voltage Transformers-Medium Voltage

Medium Voltage VTs-MVT Type

Indoor, Cast Resin Insulated

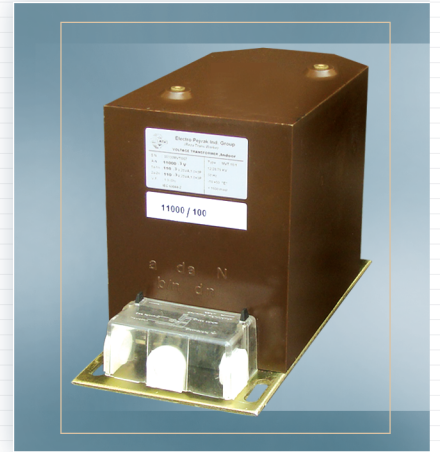
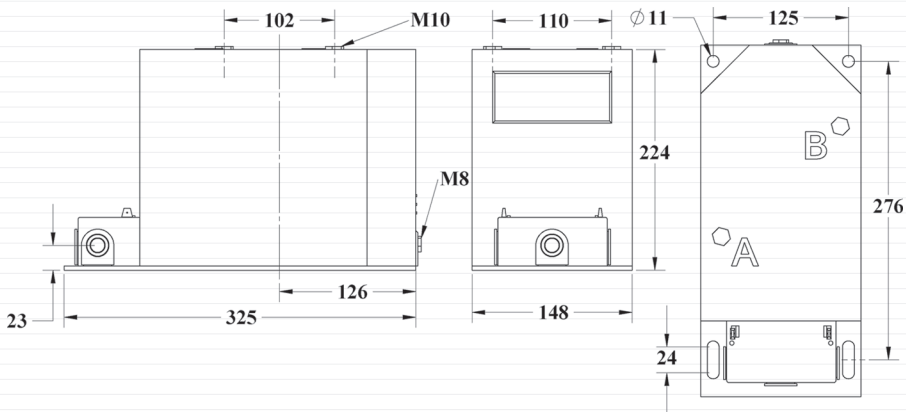
Up to 24 KV

Technical Specifications

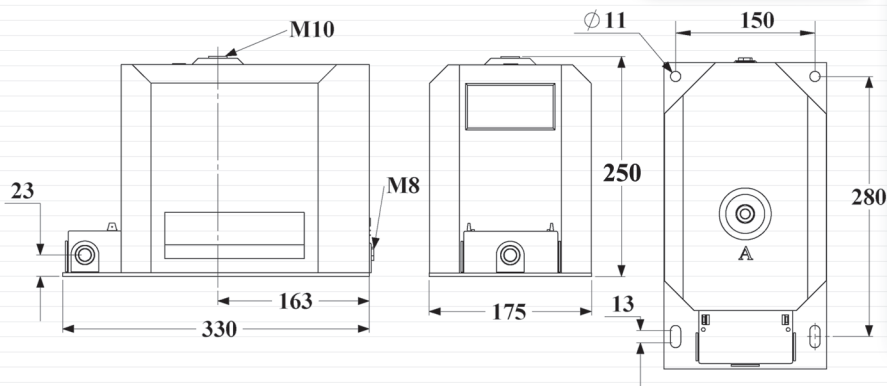
Type (MVT)		3/1	10/1	10/2	20/1	20/2
Highest voltage for equipment	KV	3.6	12	12	24	24
power frequency withstand voltage,1 minute	KV	10	28	28	50	50
Lightning impulse withstand voltage (1.2/50 μ s full wave)	KV	40	75	75	125	125
Rated frequency	Hz	50 or 60	50 or 60	50 or 60	50 or 60	50 or 60
Max. rated primary voltage	KV	$3/\sqrt{3}$	$11/\sqrt{3}$	11	$20/\sqrt{3}$	20
Max. thermal limiting output	VA	200	400	400	600	600
Max. number of secondaries		1	2	2	3	2
Weight	Kg	9	21	21	27	27
Secondary voltage		Any value up to 500 V				
*Accuracy class		0.2,0.5,1 / 3P,6P				
Dimension	mm	Shown on the diagrams				

Voltage Transformers-Medium Voltage

MVT 10/2



MVT 20/1



MVT 20/2

