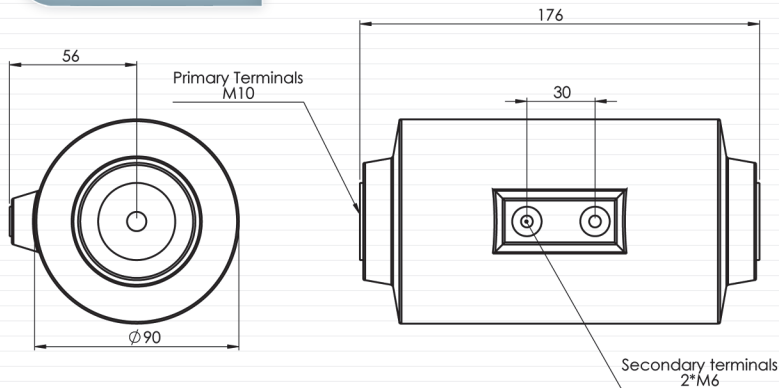


Current Transformer - Medium Voltage

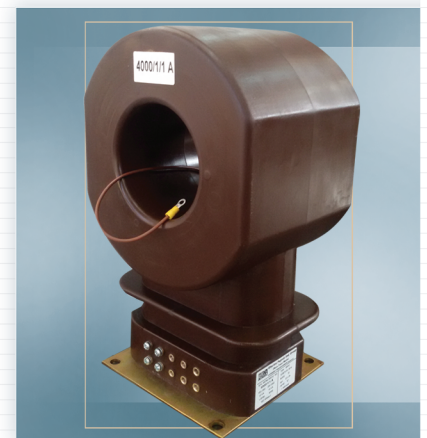
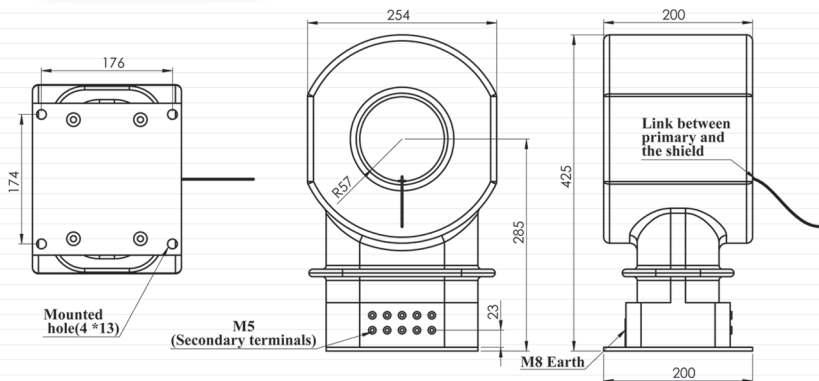
Medium Voltage Bar Type CT Indoor , Cast Resin Insulated

MR6



Medium Voltage Window Type CT Indoor , Cast Resin Insulated

MW10



Technical Specifications

Type		MR6	MW10
Highest voltage for equipment	KV	3.6	24
Power frequency withstand voltage, 1 minute	KV	10	50
Lightning impulse voltage (1.2/50 μ s full wave)	KV	20	125
Rated frequency	Hz	50 or 60	50 or 60
Primary current	A	50-500	1000 A<
Primary current (double Ratio)	A	----	----
Secondary current	A	1 or 5	1 or 5
Max. rated continuous thermal current $\times I_n$		1.2	1.2
Max. rated short time thermal current (I _{th}), 1 sec.	KA	20	60
Max. rated dynamic current (I _{dyn} = 2.5 \times I _{th})	KA	50	150
Max. number of cores		1	3
Weight	Kg	5	42
Dimension	mm	Shown on the diagrams	