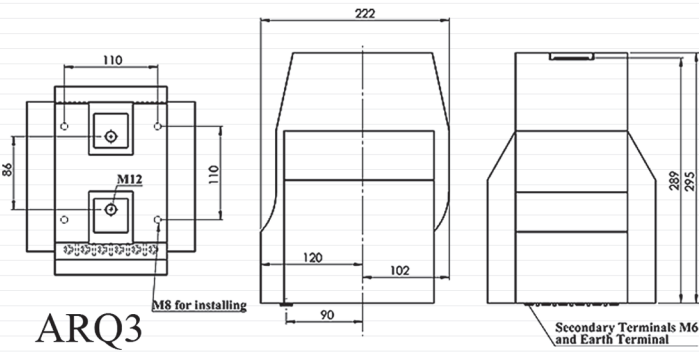
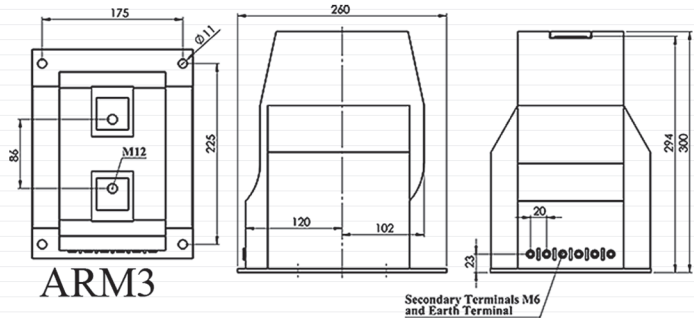


Technical Specifications

Type		ARM1& ARQ1	ARM2& ARQ2	ARM3& ARQ3	ARM4& ARQ4
Highest voltage for equipment	KV	24	24	24	24
Power frequency withstand voltage,1 minute	KV	50	50	50	50
Lightning impulse voltage (1.2/50 μ s full wave)	KV	125	125	125	125
Rated frequency	Hz	50 or 60	50 or 60	50 or 60	50 or 60
Max. primary current (single ratio or by secondary taps)	A	800	800	800	800
Max. primary current (double Ratio)	A	----	----	----	----
Secondary current	A	1 or 5	1 or 5	1 or 5	1 or 5
Max. rated continuous thermal current $\times I_n$		1.2	1.2	1.2	1.2
Max. rated short time thermal current (Ith), 1 sec.	KA	60	60	60	60
Max. rated dynamic current ($I_{dyn} = 2.5 \times I_{th}$)	KA	150	150	150	150
Max. number of cores		2	3	2	3
Weight	Kg	14	19	20	28

Current Transformer-Medium Voltage

ARM3&ARQ3



ARM4&ARQ4

